



## Control Mode: DIP Switch (Selectable White)

### Wiring Diagram

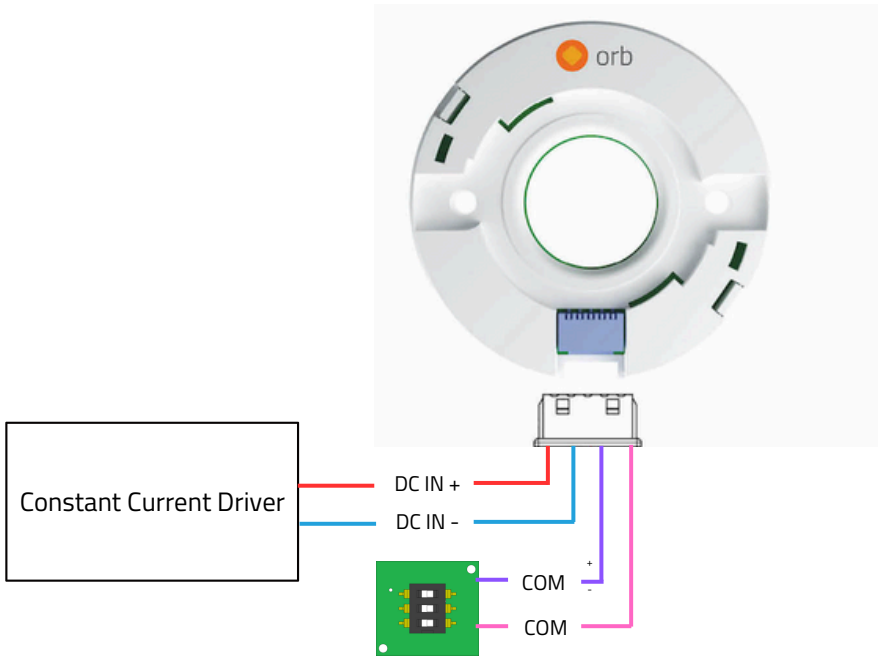


Figure 1 – DIP Switch Selectable White Wiring Diagram

Constant current driver intensity control could be 0-10V or phase dimming. Driver compatibility testing is required.

### ARK-C1-4B-30



Please contact Arkalumen if you would like a different length of cable

Function	Wire Color
DC IN +	Red
DC IN -	Blue
COM	Purple
COM	Pink

Figure 2 – DIP Switch Selectable White Cable Assembly